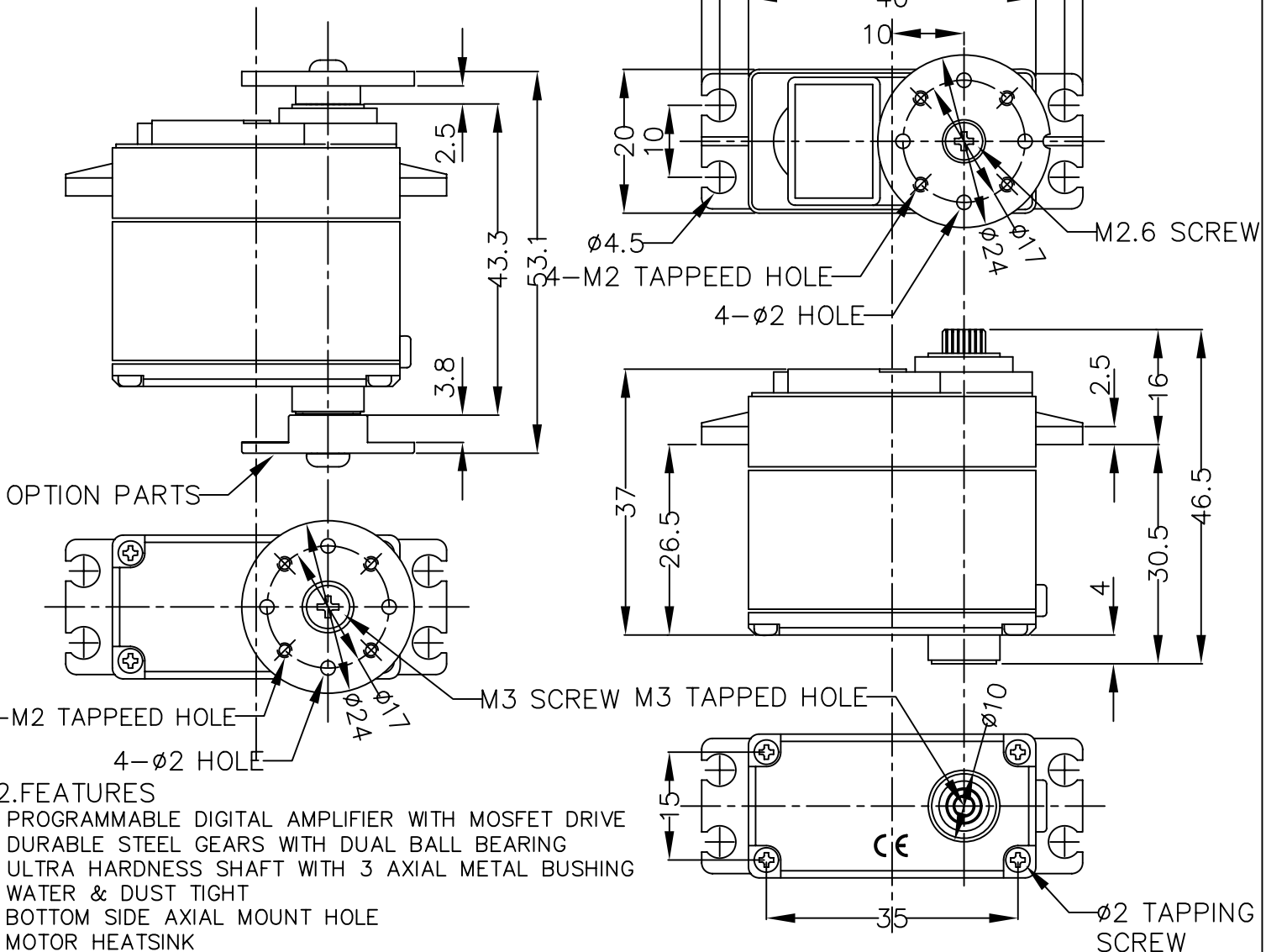


GENERAL SPECIFICATION OF HSR-5980SG CORELESS DIGITAL ROBOT SERVO

1. TECHNICAL VALUE

CONTROL SYSTEM	:+PULSE WIDTH CONTROL 1500usec NEUTRAL	
OPERATING VOLTAGE RANGE	:6.0V TO 7.4V	
OPERATING TEMPERATURE RANGE	:-20°C TO +60°C(-4°F TO +140°F)	
TEST VOLTAGE	:AT 6.0V	AT 7.4V
OPERATING SPEED	:0.17sec/60° AT NO LOAD	0.14sec/60° AT NO LOAD
STALL TORQUE	:24.0kg.cm(333.29oz.in)	30.0kg.cm(416.61oz.in)
STANDING TORQUE	:31.2kg.cm(433.27oz.in)/5° HOLDOUT	39.0kg.cm(541.59oz.in)/5° HOLDOUT
IDLE CURRENT	:10mA AT STOPPED	12mA AT STOPPED
RUNNING CURRENT	:300mA/NO LOAD RUNNING	380mA/NO LOAD RUNNING
STALL CURRENT	:4200mA	5200mA
DEAD BAND WIDTH	:2usec	2usec
OPERATING TRAVEL	:90±1°/ONE SIDE PULSE TRAVELING 900usec	
DIRECTION	:CLOCK WISE/PULSE TRAVELING 1500 TO 2400usec	
MOTOR TYPE	:CORELESS METAL BRUSH	
POTENTIOMETER TYPE	:6 SLIDER/INDIRECT DRIVE	
AMPLIFIER TYPE	:DIGITAL AMPLIFIER WITH MOSFET DRIVE	
DIMENSIONS	:40x20x37mm(1.57x0.78x1.45in)	
WEIGHT	:67g(2.36oz)	
BALL BEARING	:DUAL/MR106	
GEAR MATERIAL	:1 METAL-KARBONITE & 3 STEEL GEARS	
HORN GEAR SPLINE	:24 SEGMENTS/ø5.76	
SPLINED HORNS	:REGULAR METAL:R-MO	
CONNECTOR WIRE LENGTH	:300mm(11.81in)	
CONNECTOR WIRE STRAND COUNTER	:60EA	
CONNECTOR WIRE GAUGE	:22AWG	



2. FEATURES

- PROGRAMMABLE DIGITAL AMPLIFIER WITH MOSFET DRIVE
- DURABLE STEEL GEARS WITH DUAL BALL BEARING
- ULTRA HARDNESS SHAFT WITH 3 AXIAL METAL BUSHING
- WATER & DUST TIGHT
- BOTTOM SIDE AXIAL MOUNT HOLE
- MOTOR HEATSINK

3. APPLICATIONS

ONLY ROBOTS