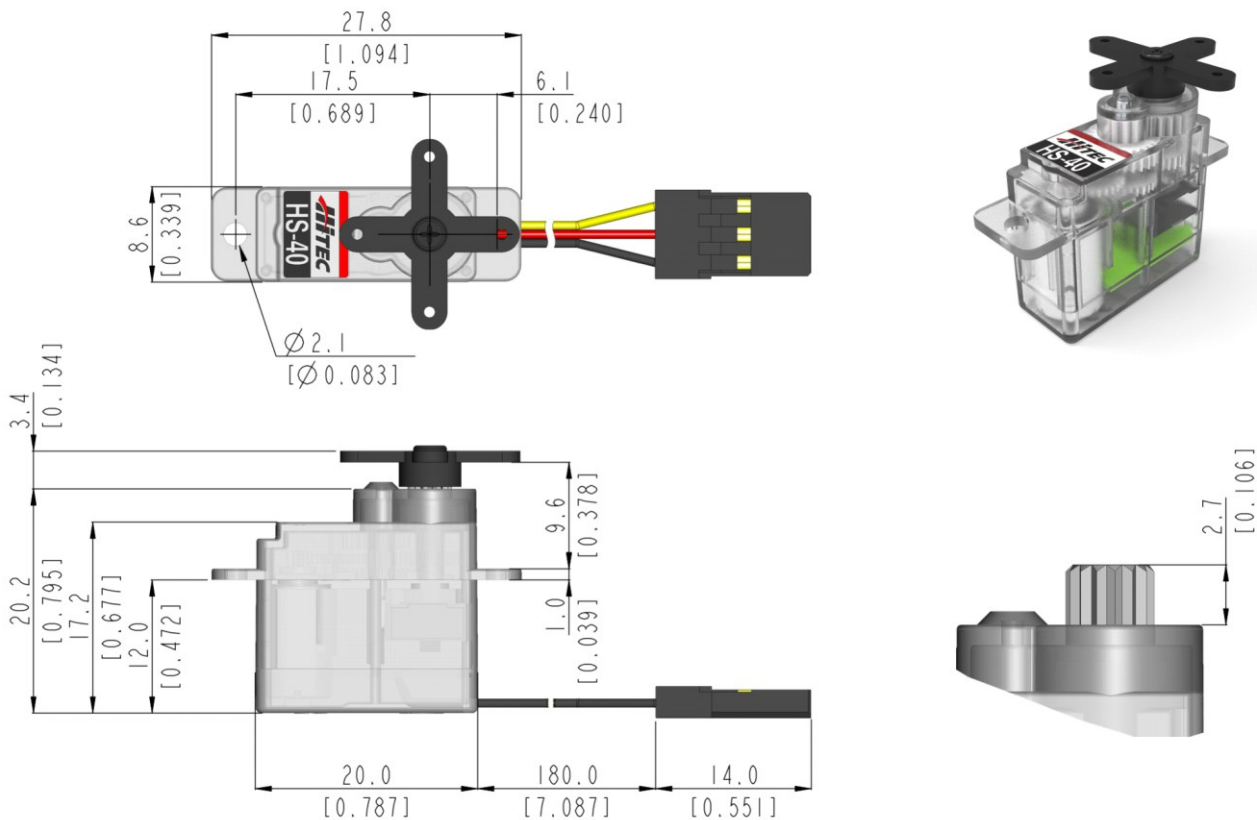


# HS-40 General Specification.



Control System	PWM		-	
Position Sensor Type	Contact Analog Potentiometer		-	
Motor Type	Coreless		At 25°C(±10%), 45%RH(±10%) <u>measurement environment</u>	
Operating Voltage Range	4.8 ~ 6.0V			
Voltage	4.8V	-		-
No Load Speed	0.09sec/60°	-		-
Stall Torque	0.6kgf·cm ( 8.33oz·in)	-		-
Peak Efficiency Torque	0.1kgf·cm ( 1.4 oz·in)	-		-
Standing Current	8mA	-		-
No Load Running Current	60mA	-		-
Stall Current	460mA	-		-
Deadband	5μs	-		-
Operating Travel	Default: ±60°, Non-programmable / Pulse Width: 900~2100μs(Center:1500μs)		-	
Continuous Rotation	n/a		-	
Operating Temperature Range	-20°C ~ +60°C (-4°F ~ +140°F)		-	
Storage Temperature Range	-30°C ~ +80°C (-22°F ~ +176°F)		-	
Connector Wire Length	180mm (7.087inch)			
Connector Wire Gauge	28AWG			
Dimensions	20.0mm x 8.6mm x 17.0mm (0.787inch x 0.339inch x 0.669inch)		General Tolerance ±0.1mm	
Weight	4.8g (0.169oz)		Excluding the weight of Horn	
Bearing Type	N/A		-	
Case Material	Engineering Plastic		-	
Gear Material	5 Resin Gears		-	
Gear Train Backlash	Max 0.5°		-	
Horn Gear Spline	15T(Ø4.0)		-	
IP-Rating	IP4X		-	
Servo Amplifier Type	Analog Contorller		-	



3:2 scale (Unit : mm[inch])

- This product should not be used directly on the human body for medical purposes.
- This product should not be used for war weapons.
- All specifications are subject to change without notice.

